

SUN2000-(3.8KTL-11.4KTL)-USL0 Power Compartment Quick Guide

Issue: 01
Part Number: 31509970
Date: 2018-06-22



Copyright © Huawei Technologies Co., Ltd. 2018. All rights reserved.

1 Prerequisites

1. Powering off the system.



NOTICE

- After the SUN2000 powers off, the remaining electricity and heat may still cause electric shock and burns. After power-off, wait 5 minutes before servicing the SUN2000. Always wear protective gloves when servicing the SUN2000.
 - If the SUN2000 is connected to the battery, ensure that a shutdown command is sent from the app. Power off the system after the SUN2000 has shut down. If no shutdown command is sent from the app, the SUN2000 will shut down after the power grid is powered off. The SUN2000 will wait for 1 minute and restart (not grid-tied) and charge the battery, which poses an electrical hazard when you turn off the DC switch.
 - If **Off-grid mode** is set to **Enable** and **Grid-tied/Off-grid mode switching** is set to **Automatic switching** for the SUN2000, ensure that a shutdown command is sent from the app and power off the system only after the SUN2000 has shut down. If no shutdown command is sent from the app, the SUN2000 will switch to the backup state after the power grid is powered off, which poses an electrical hazard when you turn off the DC switch.
- a. Send a shutdown command from the app.
 - b. Turn off the AC switch between the SUN2000 and the power grid.
 - c. Turn off the DC switch at the bottom of the SUN2000.
 - d. If a battery connects to the battery port of the SUN2000, power off the battery.
2. Before replacing the power compartment, ensure that the screw assemblies between the maintenance compartment and mounting bracket have been tightened.

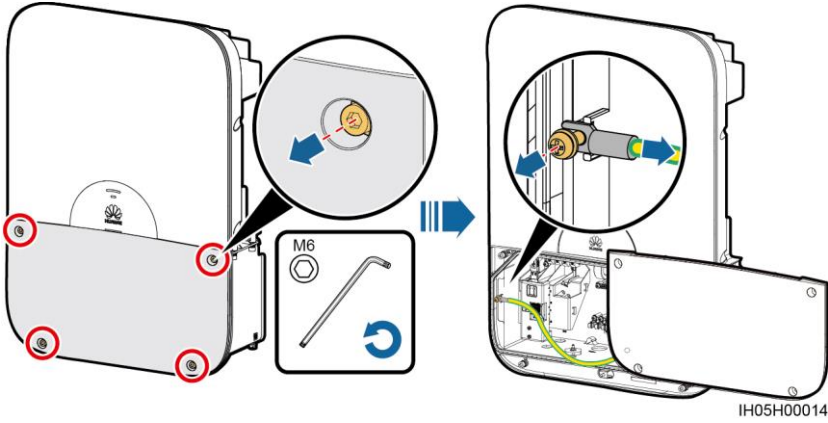


NOTE

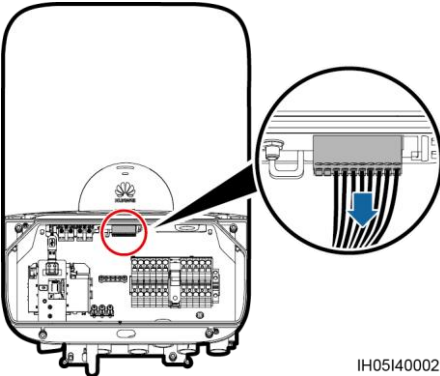
The power compartment of SUN2000-3.8KTL/5KTL/7.6KTL-USL0 and SUN2000-9KTL/10KTL/11.4KTL-USL0 can be replaced in the same way. The following describes the installation of the SUN2000-3.8KTL/5KTL/7.6KTL-USL0.

2 Procedure

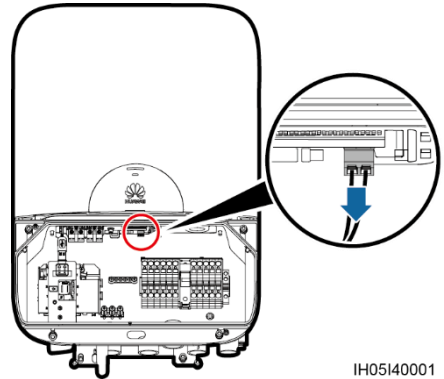
1. Remove the maintenance compartment cover.



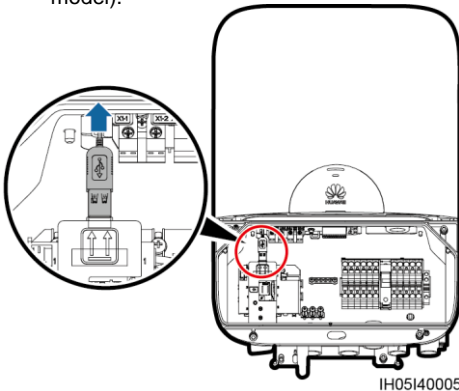
2. Removing the 10-pin signal terminal.



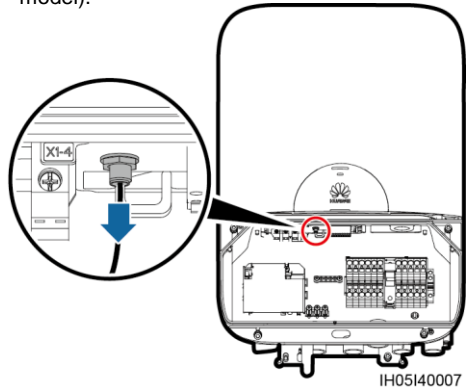
3. Removing the 2-pin enable terminal.



4. Removing the USB cable (only for the 4G model).



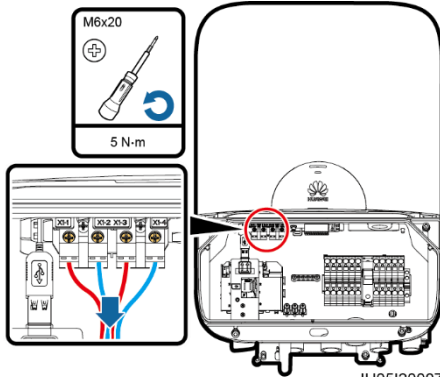
5. Removing the WLAN cable (only for the WLAN model).



NOTE

Do not remove the 4G module when removing the USB cable.

6. Remove the DC cable.

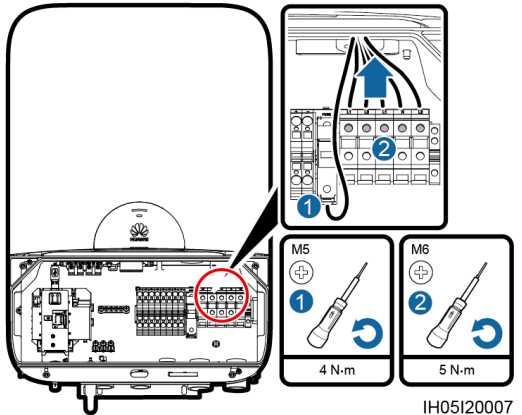
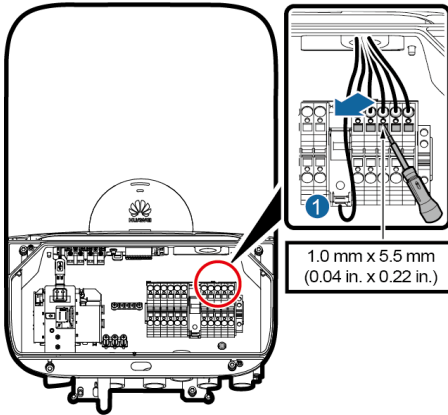


7. Remove the AC cable and the fuse cable.

IH05I20007

SUN2000-3.8KTL/5KTL/7.6KTL-US

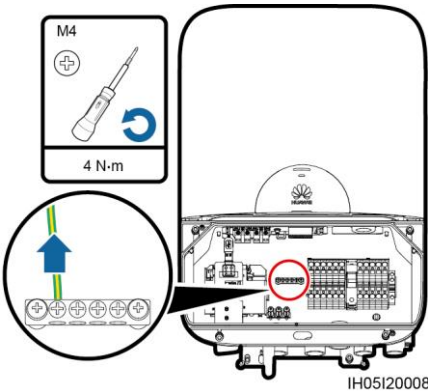
SUN2000-9KTL/10KTL/11.4KTL-USL0



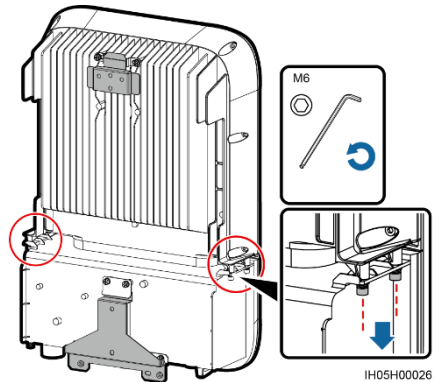
IH05I20007

8. Remove the ground cable between the power compartment and the maintenance compartment.

9. Remove the external four M6 screws that secure the power and maintenance compartments.

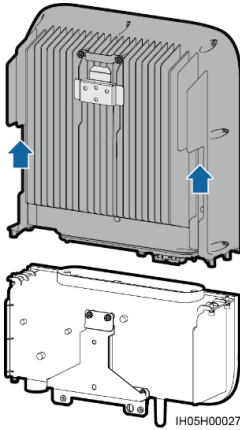


IH05I20008

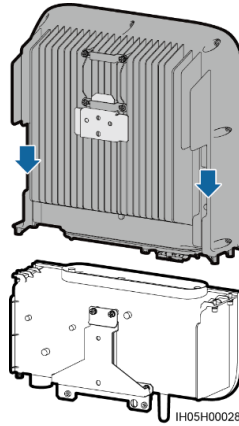


IH05H00026

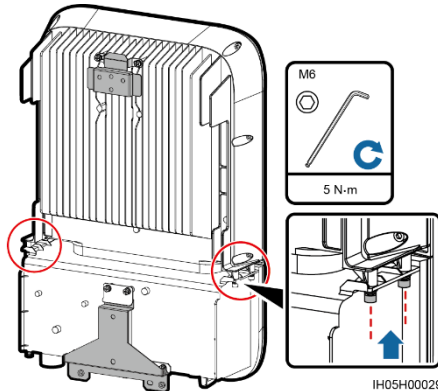
10. Remove the power compartment.



11. Install the lower mounting kit of the new power compartment onto the mounting bracket and route cables.



12. After cables are routed, install the upper mounting kit of the new power compartment onto the mounting bracket. Reinstall the four M6 screws to secure the power and maintenance compartments.



13. Reinstall the ground, fuse, AC and DC cables in sequence.

14. Reinstall the USB cable (only for the 4G model), or reinstall the WLAN cable (only for the WLAN model).

15. Reinstall the 10-pin signal terminal and 2-pin enable terminal.

16. Reinstall the maintenance compartment cover.

HUAWEI TECHNOLOGIES CO., LTD.

Huawei Industrial Base, Bantian, Longgang
Shenzhen, People's Republic of China

Postal code: 518129

www.huawei.com